

## CMKD3003DO 180V, 200mA Dual, Isolated, Opposing Low Leakage Switching Diodes in SOT-363 package

SOT-363  
package



Central Semiconductor's CMKD3003DO contains two (2) isolated silicon switching diodes configured with opposing polarity in an SOT-363 epoxy molded ULTRAmMini™ surface mount package. This device was designed for portable hand held products requiring extremely low leakage diodes and high voltage capability.

### Features:

- Low leakage current (1.0nA)
- Low capacitance (4.0pF)
- High reverse voltage (180V)

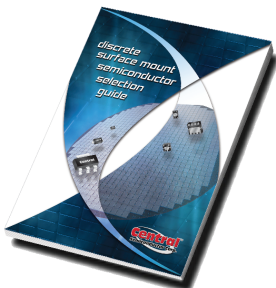
### Applications:

- Voltage multiplier
- Steering diode
- General purpose switching

### Benefits:

- Energy efficiency
- Space saving
- Optimized for multiplier / bridge configurations

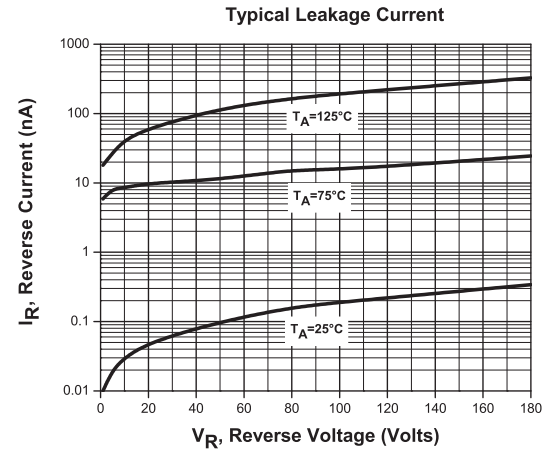
### Literature



New  
SMD  
SELECTION  
GUIDE

Order your selection guide today.  
Visit: [web.centrasemi.com/search/sample.php](http://web.centrasemi.com/search/sample.php)

### Typical Electrical Characteristics



### Samples



To order samples of this device visit:  
[www.centrasemi.com/info/CMKD3003DO](http://www.centrasemi.com/info/CMKD3003DO)

weblink scan

Use QR reader  
for direct link to  
product web page.



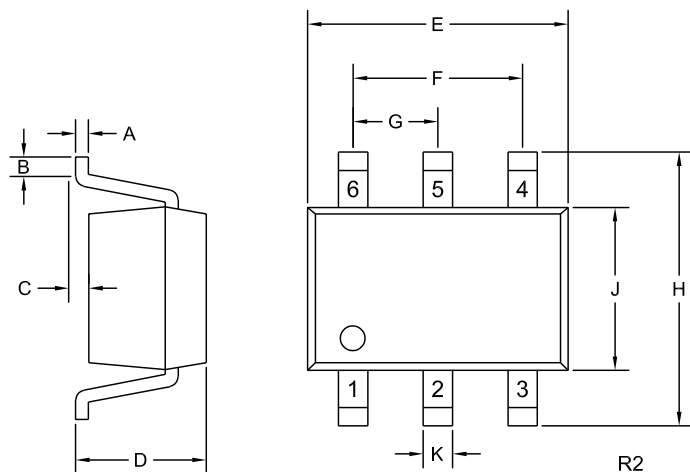
Electrical Characteristics ( $T_A = 25^\circ\text{C}$ unless otherwise noted)						Thermal Characteristics			
$V_R$	$I_O$	$V_F$	@ $I_F$	$I_R$	@ $V_R$	$C_T$	$P_D$	$T_J, T_{stg}$	$\Theta_{JA}$
(V) MAX	(mA) MAX	(V) MAX	(mA)	MAX	(V)	(pF) MAX	(mW) MAX	( $^\circ\text{C}$ ) MAX	( $^\circ\text{C}/\text{W}$ ) MAX
180	200	0.72 0.83 0.89 0.93	1.0 10 50 100	1.0nA 3.0 $\mu\text{A}$ 10nA 5.0 $\mu\text{A}$	125 125* 180 180*	4.0	350	-65 to +150	357

\*  $T_A = 150^\circ\text{C}$

# CMKD3003DO

# 180V, 200mA Dual, Isolated, Opposing Low Leakage Switching Diodes in SOT-363 package

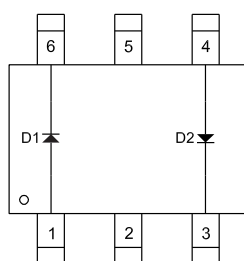
## Mechanical Drawing - SOT-363



SYMBOL	DIMENSIONS			
	INCHES		MILLIMETERS	
	MIN	MAX	MIN	MAX
A	0.004	0.010	0.10	0.25
B	0.005	-	0.12	-
C	0.000	0.004	0.00	0.10
D	0.031	0.043	0.80	1.10
E	0.071	0.087	1.80	2.20
F	0.051		1.30	
G	0.026		0.65	
H	0.075	0.091	1.90	2.30
J	0.043	0.055	1.10	1.40
K	0.006	0.012	0.15	0.30

SOT-363 (REV: R2)

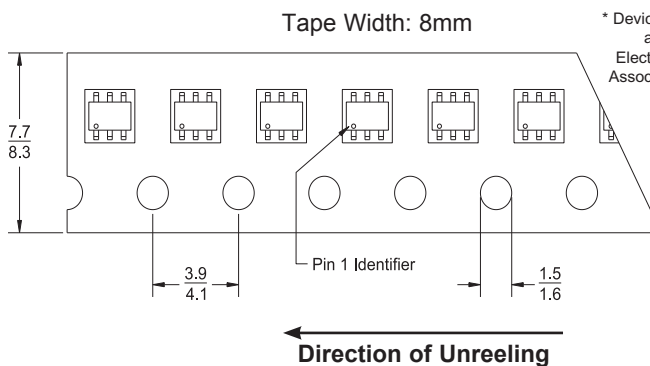
## Lead Code



- 1) Anode D1
- 2) NC
- 3) Cathode D2
- 4) Anode D2
- 5) NC
- 6) Cathode D1

**MARKING CODE:**  
C303

## Tape Dimensions and Orientation (Dimensions in mm)



\* Devices are taped in accordance with Electronic Industries Association Standard EIA-481-1-A

## Packaging Base / Ordering Information

Reel Size	Quantity	Central Item No.
7"	3,000	CMKD3003DO TR

## Reel Packing Information

Reel Size	Reels per Box (Maximum)	Parts per Box (Maximum)	Box Dimensions		Shipping Weight (Max.)	
			INCH	CM	LB	KG
7"	9	27,000	9x9x5	23x23x13	3	2
	18	54,000	9x9x9	23x23x23	6	3
	40	120,000	21x9x9	53x23x23	13	6
	108	324,000	27x9x17	69x23x43	34	16

Sample devices available upon request. To order samples of this device visit: [www.centrasemi.com/info/CMKD3003DO](http://www.centrasemi.com/info/CMKD3003DO)



**Innovative Discrete Semiconductors**

For further information contact:  
Sales at Central Semiconductor Corp.  
(631) 435-1110 or visit:  
[www.centrasemi.com](http://www.centrasemi.com)